

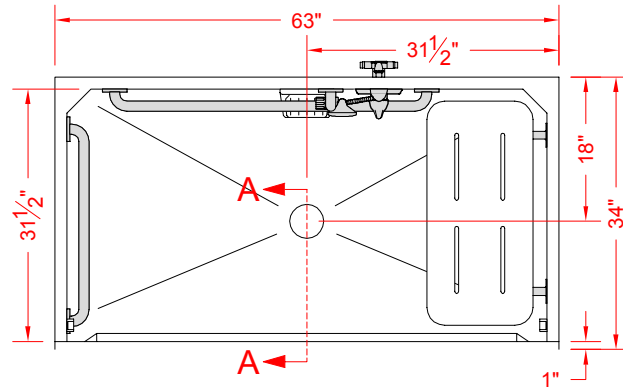


ADA/ANSI/CA TITLE 24 COMPLIANT  
WHEN FULLY EQUIPPED

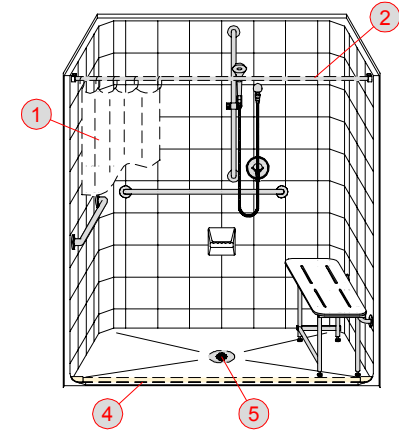
CA TITLE 24  
COMPLIANT



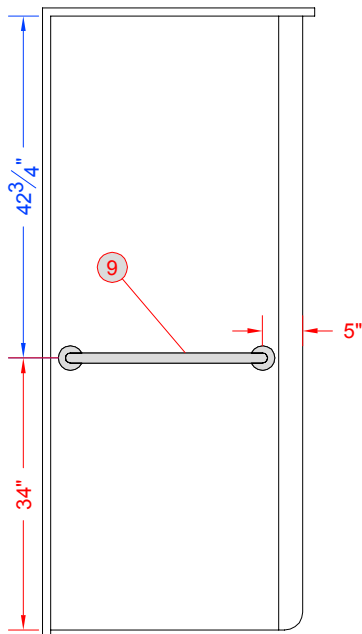
DIMENSIONS  
IN BLUE  
ARE FOR  
INTERNAL  
USE ONLY



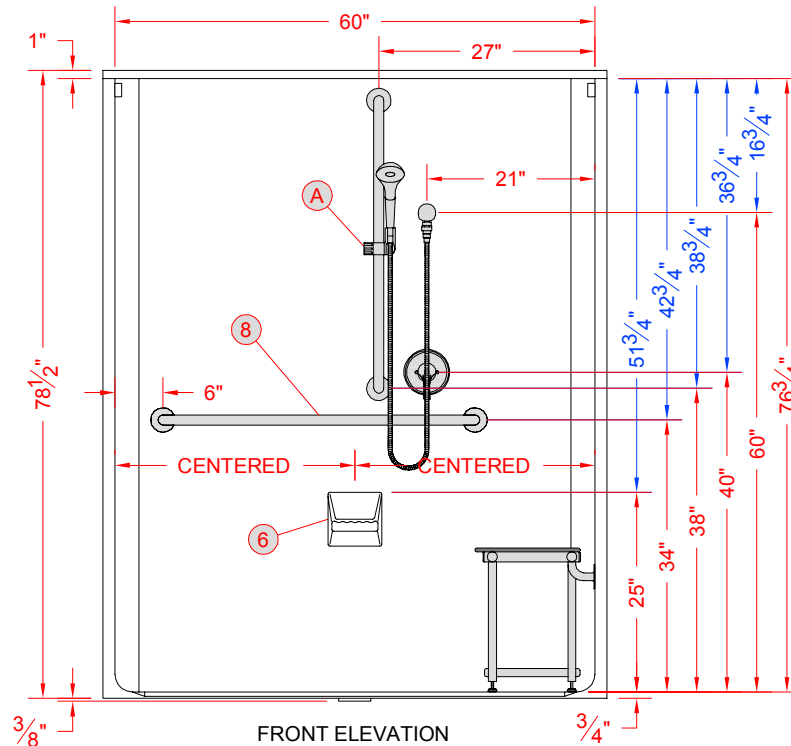
TOP VIEW



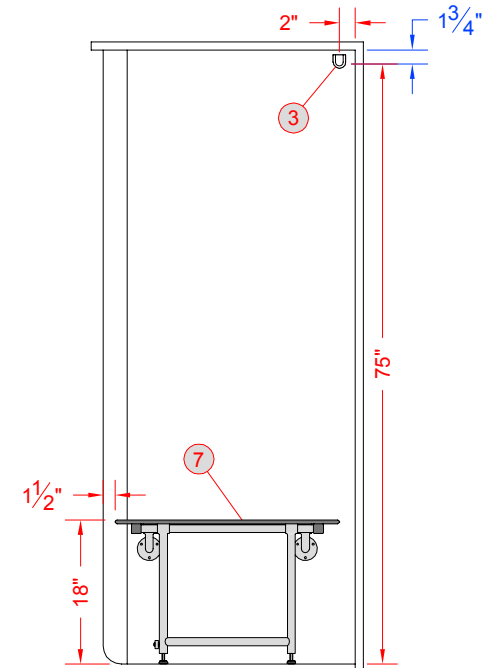
PERSPECTIVE - N.T.S.



INT. LEFT ELEVATION



FRONT ELEVATION



INT. RIGHT ELEVATION

E	---	---
D	---	---
C	---	---
B	---	---
A	---	---
REV	CHANGE	DATE

PROJECT:  
COMPANY:

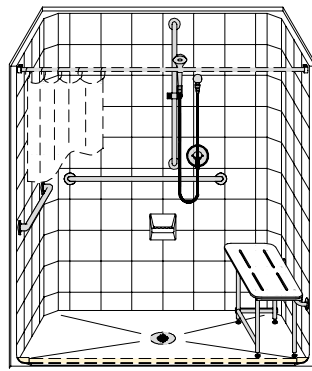


NOTES:  
 • Rough-in stud opening +1/4" -0" nominal dimensions  
 • All vertical accessory dimensions are measured from the floor of the shower.  
 • Best Bath Systems, Inc. retains ownership of all product designs, and any proprietary information may not be disclosed to its competitors, their agents or affiliates.

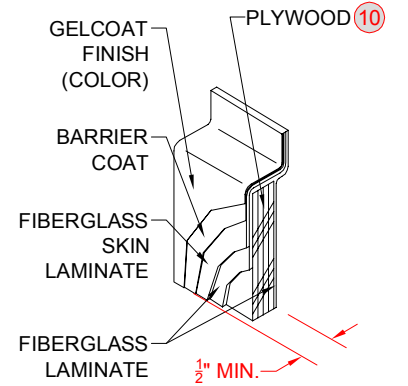
DB: MA	SCALE: 1/2" = 1'-0"	DATE: 09/11/16
CB: PVR	SHEET 1 OF 2	DRAWING NUMBER: 13509

ACCEPTED AS CORRECT BY:

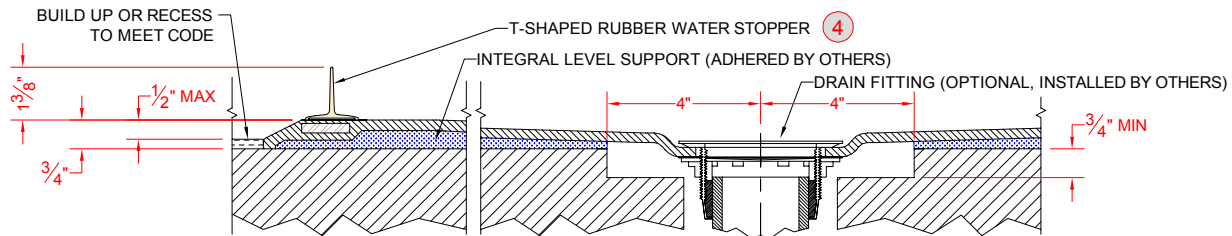
X \_\_\_\_\_ / /



PERSPECTIVE N.T.S.



LAMINATE DETAIL C - SCALE: 3" = 1'-0"



SECTION A-A - SCALE: NTS

**NOTE: INSTALLATION-CRITICAL POINTS**  
 -DRAIN DEPRESSION TO BE 8" x 8" OR 8" DIAM. +/- 1/2".  
 -CENTER DRAIN FITTING/PIPE ON THE DEPRESSION.  
 -ADJUST DEPRESSION DEPTH AS NEEDED TO PREVENT INTERFERENCE.  
 -SHOWER MAY NOT BE "MUD-SET", USE PROVIDED EPOXY ONLY.

**VALVE PACKAGE DETAILS:**

A	1	SYMMONS VALVE PACKAGE 9603-X-PLR-1.5 - 4-PORT MIXING VALVE, 36" x 1-1/2" GRAB/GLIDE BAR WITH 1.5 GPM HAND SHOWER, VACUUM BREAKER, HOSE, & SUPPLY ELBOW		ACXSYM1155	✓		
<b>PLUMBING TREE:</b>		COPPER PTS101 - SYMMONS STANDARD 20" WITH VALVE		COPPERTREE	✓		
<b>PT NIPPLE SIZE:</b>		STANDARD 2.5" NIPPLE	<b>SUPPLY TEST:</b>	STANDARD	020PLUM1003	✓	
<b>PLUMBING TREE CUSTOM PARTS:</b>		N/A					

FOR THE PROTECTION OF YOUR ACCESSORIES, SOME ITEMS INCLUDED IN THE VALVE PACKAGE WILL NOT BE INSTALLED AT THE FACTORY. THESE ITEMS INCLUDE, BUT ARE NOT LIMITED TO, THE SUPPLY ELBOW, VACUUM BREAKER, HOSE, AND HAND SHOWER.

15							
14							
13							
12							
11							
10	-	FULL PLYWOOD BACKING				✓	
9	1	24" x 1-1/4" GRAB BAR		GB24QSS		✓	
8	1	39" x 1-1/4" GRAB BAR		GB39QSS		✓	
7	1	28" x 15" FOLD DOWN SEAT WITH SWING DOWN LEGS, PHENOLIC		SE2815PHSO		✓	
6	1	SURFACE MOUNT SOAP DISH, SMALL	WHITE	SOAPDISHSM		✓	
5	1	KIT - INCLUDES OATEY 42150 NO-CAULK BRASS DRAIN FOR PVC/ABS AND LOOSE OATEY 42157 GASKET FOR CONNECTION TO NO-HUB CAST IRON PIPE		KACXDRAIN2002		✓	✓
4	1	T-SHAPED RUBBER WATER STOPPER KIT, 5 FT, UNIVERSAL	BEIGE	KTWSB5U		✓	
3	1	AQA MOUNTING BRACKETS (PART OF CURTAIN ROD KIT)		-		✓	
2	1	20 GAUGE STAINLESS STEEL CURTAIN ROD KIT		KACXROD62.5		✓	
1	1	66" x 74" CURTAIN AND RINGS		ACXCURT0005		✓	
<b>KEY</b>	<b>QTY.</b>	<b>DESCRIPTION</b>	<b>COLOR</b>	<b>PART NUMBER</b>	<b>FACTORY INSTALLED</b>	<b>INSTALLED BY OTHERS</b>	<b>MARK LOCATION ONLY</b>
<b>PARTS LIST</b>							

**NOTES:**  
 WP2  
 REFER TO SHEET 1 OF 2 FOR ACCESSORY LOCATIONS

DATE: 09/11/16  
 DRAWING NUMBER: 13509  
 SHEET 2 OF 2

